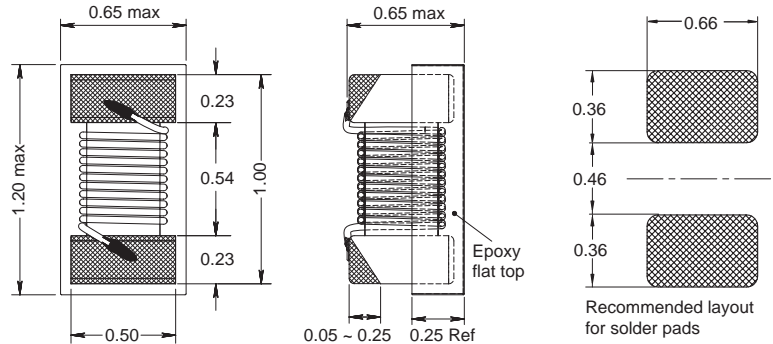
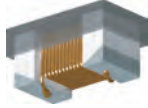




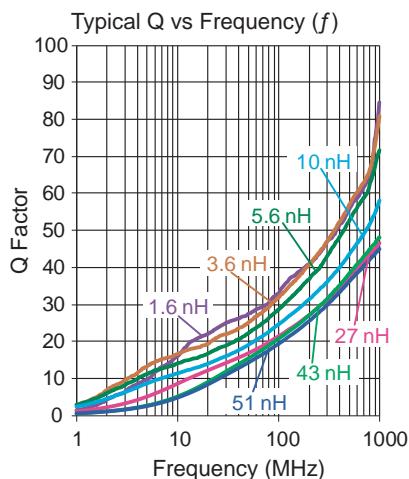
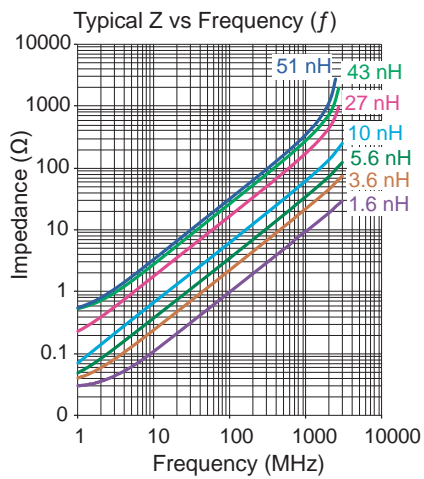
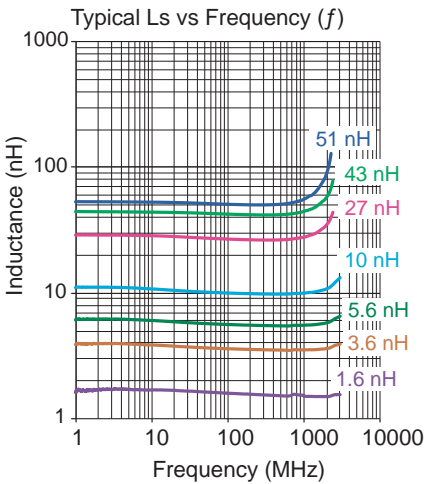
# 0402 AQC



Exceptionally High Q and for Higher Currents  
Engineer's Kit: EK-0402AQC-X



Chip Inductors for RF Applications (Wire wound - open)



Single layer (typ)

Part No	Inductance		f <sub>L</sub> (MHz)	Tol ± (%)	Q min	f <sub>Q</sub> (MHz)	SRF typ (GHz)	DCR max (Ω)	Rated DC Current (A)
	L (nH)								
0402AQC-0N9M-YY	0.9		100	20	24	250	18	0.015	3.00
0402AQC-1N6K-YY	1.6		100	10	24	250	18	0.040	2.00
0402AQC-2N8K-YY	2.8		100	10	27	250	13.5	0.040	2.00
0402AQC-2N9K-YY	2.9		100	10	27	250	12.5	0.040	2.00
0402AQC-3N0K-YY	3.0		100	10	30	250	12.5	0.040	2.00
0402AQC-3N3K-YY	3.3		100	10	30	250	14.0	0.040	2.00
0402AQC-3N6K-YY	3.6		100	10	30	250	10.0	0.040	2.00
0402AQC-3N9K-YY	3.9		100	10	32	250	10.0	0.040	2.00
0402AQC-4N3K-YY	4.3		100	10	32	250	9.60	0.060	1.80
0402AQC-4N7K-YY	4.7		100	10	31	250	8.00	0.050	1.85
0402AQC-5N1K-YY	5.1		100	10	31	250	8.00	0.050	1.85
0402AQC-5N6K-YY	5.6		100	10	31	250	8.00	0.050	1.85
0402AQC-5N9K-YY	5.9		100	10	31	250	8.00	0.050	1.85
0402AQC-6N2K-YY	6.2		100	10	31	250	8.00	0.050	1.80
0402AQC-6N8J-YY	6.8		100	5	30	250	7.00	0.065	1.70
0402AQC-7N2J-YY	7.2		100	5	31	250	7.00	0.065	1.70
0402AQC-7N5J-YY	7.5		100	5	31	250	7.00	0.065	1.70
0402AQC-8N2J-YY	8.2		100	5	30	250	6.50	0.065	1.65
0402AQC-8N7J-YY	8.7		100	5	30	250	6.50	0.070	1.50
0402AQC-9N0J-YY	9.0		100	5	30	250	6.50	0.078	1.50
0402AQC-9N1J-YY	9.1		100	5	30	250	6.50	0.078	1.50
0402AQC-9N2J-YY	9.2		100	5	30	250	6.00	0.078	1.50
0402AQC-9N5J-YY	9.5		100	5	30	250	6.00	0.080	1.50
0402AQC-010J-YY	10		100	5	30	250	6.00	0.080	1.50
0402AQC-011J-YY	11		100	5	30	250	6.00	0.080	1.50
0402AQC-012J-YY	12		100	5	30	250	5.20	0.095	1.35
0402AQC-013J-YY	13		100	5	30	250	5.20	0.095	1.35
0402AQC-015J-YY	15		100	5	28	250	5.50	0.120	1.15
0402AQC-016J-YY	16		100	5	26	250	5.00	0.140	1.10
0402AQC-017J-YY	17		100	5	26	250	5.00	0.140	1.10
0402AQC-018J-YY	18		100	5	26	250	5.00	0.140	1.10
0402AQC-019J-YY	19		100	5	26	250	5.00	0.140	1.10
0402AQC-020J-YY	20		100	5	26	250	4.50	0.225	0.80
0402AQC-021J-YY	21		100	5	26	250	4.50	0.225	0.80
0402AQC-022J-YY	22		100	5	25	250	4.50	0.225	0.80
0402AQC-023J-YY	23		100	5	25	250	4.50	0.225	0.80
0402AQC-024J-YY	24		100	5	25	250	4.00	0.225	0.80
0402AQC-025J-YY	25		100	5	25	250	4.00	0.255	0.80
0402AQC-026J-YY	26		100	5	25	250	4.00	0.270	0.80
0402AQC-027J-YY	27		100	5	25	250	4.00	0.270	0.80
0402AQC-030J-YY	30		100	5	25	250	3.80	0.290	0.70
0402AQC-033J-YY	33		100	5	25	250	3.60	0.345	0.65
0402AQC-036J-YY	36		100	5	25	250	3.50	0.455	0.60
0402AQC-039J-YY	39		100	5	25	250	3.40	0.455	0.60
0402AQC-043J-YY	43		100	5	25	250	3.40	0.585	0.45
0402AQC-047J-YY	47		100	5	25	250	3.20	0.600	0.45
0402AQC-051J-YY	51		100	5	25	250	2.90	0.690	0.45

Core Material: Ceramic

Revision date: 05 Aug 2022

SPQ: Taped / Reel 1000 [-08]  
5000 [-01]

Remarks: - Unlisted inductance values available upon request.  
- 3% and 5% tolerance available upon request.

• All dimensions in mm