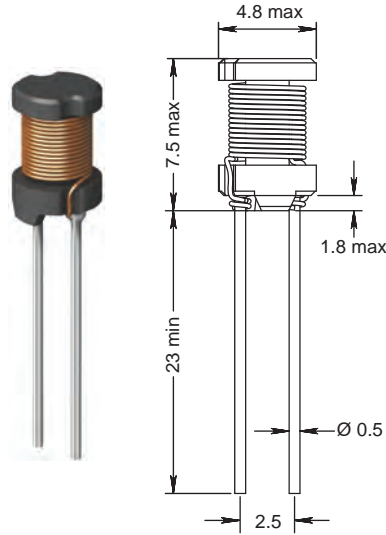
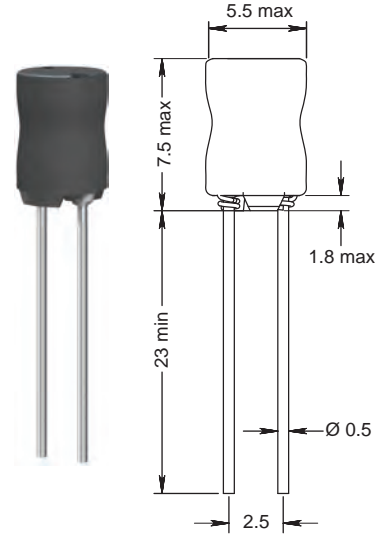


05 HCP, 05 HCP/T

For High Currents



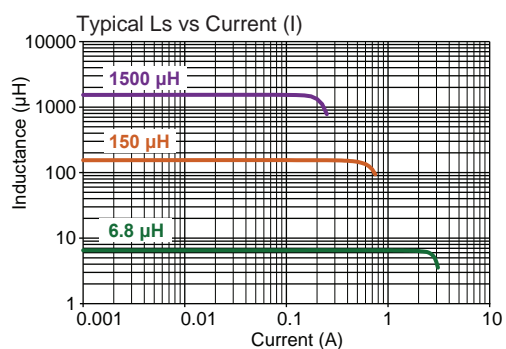
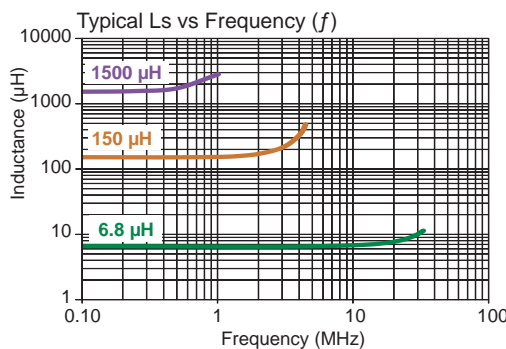
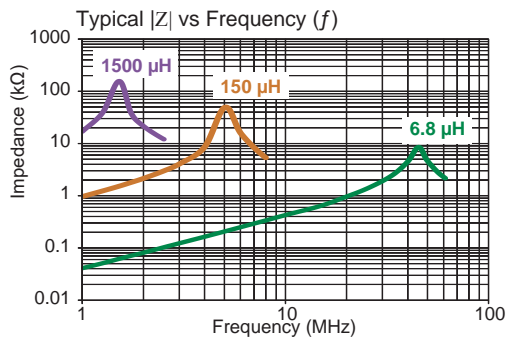
05 HCP



05 HCP/T
(With Tube)

(Pin Type Coils)

Pluggable Inductors



Part No	Inductance L (μ H)	f_L (kHz)	Tol. \pm (%)	SRF typ (MHz)	DCR max (Ω)	Rated DC Current (A)	
						I_{max}	I_{sat} typ
05HCP-6R8M-51	6.8	10 @ 0.1 V	20	35.00	0.070	1.685	1.850
05HCP-100K-51	10	10 @ 0.1 V	10	23.00	0.090	1.485	1.600
05HCP-180K-51	18	10 @ 0.1 V	10	14.00	0.120	1.320	1.200
05HCP-220K-51	22	10 @ 0.1 V	10	12.00	0.140	1.100	1.100
05HCP-330K-51	33	10 @ 0.1 V	10	10.00	0.172	1.070	0.870
05HCP-470K-51	47	10 @ 0.1 V	10	8.00	0.218	0.960	0.740
05HCP-820K-51	82	10 @ 0.1 V	10	6.00	0.370	0.720	0.550
05HCP-101K-51	100	10 @ 0.1 V	10	5.00	0.500	0.600	0.500
05HCP-151K-51	150	10 @ 0.1 V	10	4.30	0.635	0.560	0.400
05HCP-221K-51	220	10 @ 0.1 V	10	3.50	0.965	0.450	0.320
05HCP-331K-51	330	10 @ 0.1 V	10	2.35	1.946	0.320	0.300
05HCP-471K-51	470	10 @ 0.1 V	10	2.35	1.946	0.320	0.220
05HCP-821K-51	820	10 @ 0.1 V	10	1.76	3.750	0.240	0.170
05HCP-102K-51	1000	10 @ 0.1 V	10	1.50	4.420	0.205	0.150
05HCP-152K-51	1500	10 @ 0.1 V	10	1.20	6.620	0.168	0.125

Core Material: Ferrite

Revision date: 23 Aug 2022

SPQ:

Packaging Form	Taped / Reel
Radial	1000 [-51]