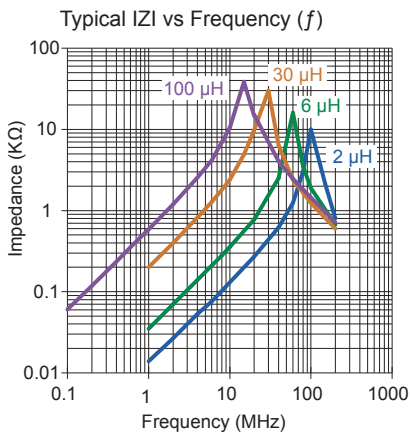
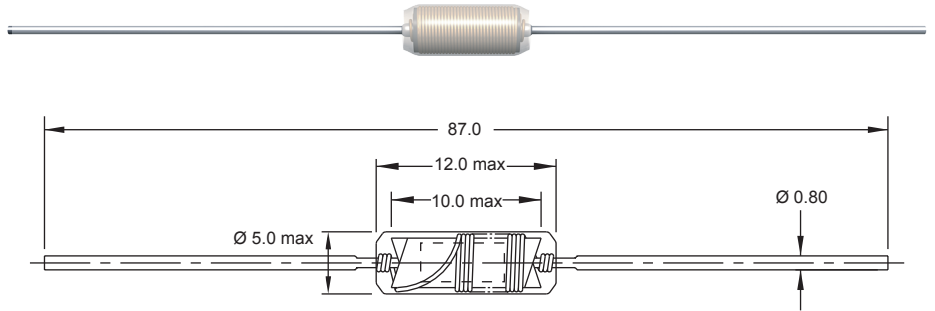


MISC 



Part No	Inductance	f _L	Tol	DCR	Rated DC
	L (μH)	(kHz)	± (%)	max (mΩ)	Current (A)
MISC-1R0M-01	1	1000	20	18	4
MISC-2R0M-01	2	1000	20	54	3
MISC-3R0M-01	3	1000	20	93	2
MISC-6R0M-01	6	1000	20	228	1.5
MISC-140M-01	14	100	20	912	0.7
MISC-300M-01	30	100	20	3240	0.4
MISC-400M-01	40	100	20	4290	0.3
MISC-101M-01	100	100	20	22800	0.15

Single layer

Core Material : Iron Dust

Revision date : 27 Apr 2017

SPQ :

Packing Form	Taped / Reel
Axial	1500 [-01]

Remarks :

- Available also without insulating material (MISC/B)
- Single layer - Model with Insulation Foil are suitable for Application in "Power Line", rated voltage 230V AC (Testvoltage 500V DC).