

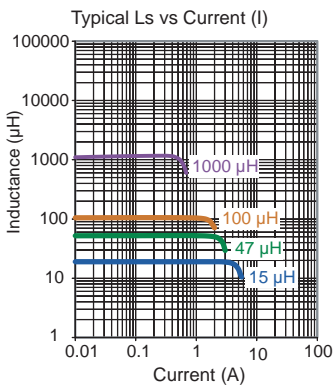
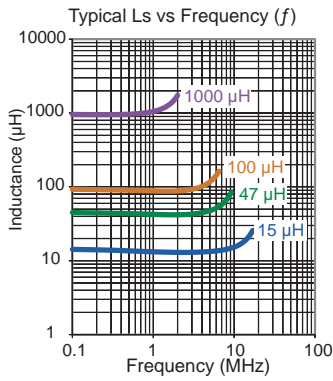
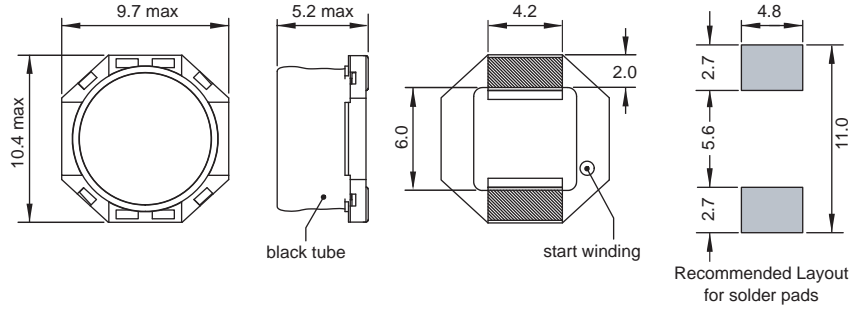
PIHV 4119



with tube

For High Voltages up to 400V DC

Engineer's Kit: EK-PIHV4119-X



Part No	Inductance	f _L (kHz)	Tol ± (%)	SRF typ (MHz)	DCR max (Ω)	Rated DC Current (A)	
	L (µH)					I _{sat} typ	I _R max
PIHV4119-150M-04	15	100 @ 0.1 V	20	17.3	0.085	3.10	3.00
PIHV4119-220M-04	22	100 @ 0.1 V	20	13.7	0.120	2.60	2.60
PIHV4119-330M-04	33	100 @ 0.1 V	20	11.7	0.180	2.10	2.20
PIHV4119-470M-04	47	100 @ 0.1 V	20	10.0	0.240	1.85	1.90
PIHV4119-680M-04	68	100 @ 0.1 V	20	8.7	0.330	1.50	1.55
PIHV4119-101M-04	100	100 @ 0.1 V	20	7.1	0.450	1.30	1.45
PIHV4119-151M-04	150	100 @ 0.1 V	20	5.4	0.650	1.05	0.90
PIHV4119-221M-04	220	100 @ 0.1 V	20	4.5	1.000	0.85	0.71
PIHV4119-331M-04	330	100 @ 0.1 V	20	3.8	1.500	0.70	0.61
PIHV4119-471M-04	470	100 @ 0.1 V	20	3.1	2.000	0.60	0.50
PIHV4119-681M-04	680	100 @ 0.1 V	20	2.6	3.000	0.50	0.45
PIHV4119-102M-04	1000	100 @ 0.1 V	20	2.2	4.450	0.40	0.34
PIHV4119-222M-04	2200	100 @ 0.1 V	20	1.4	9.850	0.25	0.17

Core Material: Ferrite
Base Material: Plastic

Revision date: 29 Nov 2023

SPQ: Taped / Reel 600 [-04]

Remarks: - I_{sat} & I_R - see description in Inductors Technical Data.