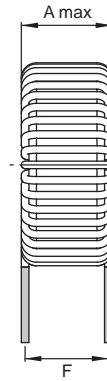
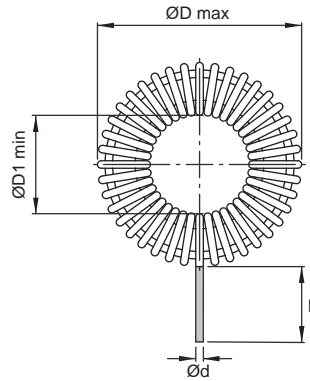


TLC/0.25A



Part No	Inductance (fL = 1 kHz)		Tol ± (%)	DCR max (mΩ)	Weight (grams)	Dimensions						SPQ: Loose / Box
	At Idc=0A (μH)	At rated current (μH)				ØD max	F	A max	E	Ød	ØD1 min	
TLC/0.25A-100M-00	10	10	20	130	2	12	4	5	10	0.23	4.5	2000
TLC/0.25A-150M-00	15	14.9	20	165	2	12	4	5	10	0.23	4.5	2000
TLC/0.25A-220M-00	22	21.8	20	195	2.1	12	4	5	10	0.23	4.5	2000
TLC/0.25A-330M-00	33	32.6	20	235	2.1	12	4	5	10	0.23	4.5	2000
TLC/0.25A-470M-00	47	46.3	20	260	2.1	12.5	4	5	10	0.23	4.5	2000
TLC/0.25A-680M-00	68	66.5	20	325	2.2	12	4	5	10	0.23	4.5	2000
TLC/0.25A-101M-00	100	97	20	360	2.2	12.5	4	5	10	0.23	4.5	2000
TLC/0.25A-151M-00	150	143.5	20	490	2.3	12	4	5	10	0.23	4.5	2000
TLC/0.25A-221M-00	220	207.2	20	580	2.3	12.5	4	5	10	0.23	4.5	2000
TLC/0.25A-331M-00	330	303.3	20	750	2.4	12.5	4	5	10	0.23	4.5	2000
TLC/0.25A-471M-00	470	429.6	20	1030	3.3	14.5	4.5	6.5	10	0.23	4.6	1500
TLC/0.25A-681M-00	680	602.5	20	1300	3.5	14	4.5	6.5	10	0.23	4.5	1500
TLC/0.25A-102M-00	1000	849	20	1420	3.6	15	4.5	6.5	10	0.23	4.5	1500

Core Material : Iron Dust

Revision date : 08 Aug 2014

Remarks : Customized versions available on request.