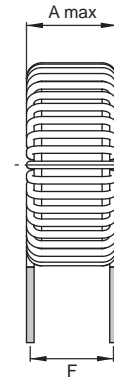
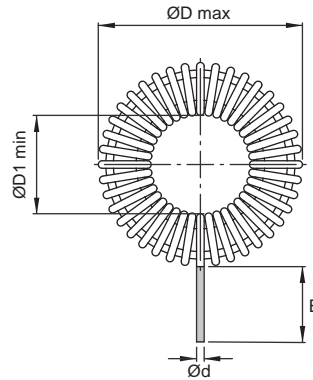


TLC/0.5A



Part No	Inductance (fL = 1 kHz)		Tol ± (%)	DCR max (mΩ)	Weight (grams)	Dimensions					SPQ: Loose / Box	
	At Idc=0A (μH)	At rated current (μH)				ØD max	F	A max	E	Ød		ØD1 min
TLC/0.5A-100M-00	10	9.9	20	75	2.8	14.5	5.5	6.5	10	0.32	5	1500
TLC/0.5A-150M-00	15	14.8	20	100	2.9	14.5	5.5	6.5	10	0.32	5	1500
TLC/0.5A-220M-00	22	21.5	20	120	2.9	14.5	5.5	6.5	10	0.32	5	1500
TLC/0.5A-330M-00	33	32	20	145	3	14.5	5.5	6.5	10	0.32	5	1500
TLC/0.5A-470M-00	47	45	20	170	3	15	6	7	10	0.32	5	1500
TLC/0.5A-680M-00	68	64.2	20	210	3.1	15	6	7	10	0.32	5	1500
TLC/0.5A-101M-00	100	92.5	20	220	3.2	15	6	7	10	0.32	5	1500
TLC/0.5A-151M-00	150	134.2	20	300	3.4	15	6	7	10	0.32	5	1500
TLC/0.5A-221M-00	220	203.7	20	340	6.1	19.5	6	7	10	0.32	7	1000
TLC/0.5A-331M-00	330	296.7	20	440	6.4	19.5	6	7	10	0.32	7	1000
TLC/0.5A-471M-00	470	426.3	20	510	10	22.5	7.5	8.5	10	0.32	10	750
TLC/0.5A-681M-00	680	595.7	20	700	10.3	22.5	7.5	8.5	10	0.32	10	750
TLC/0.5A-102M-00	1000	836	20	786	10.8	23	7.5	8.5	10	0.32	10	750

Core Material : Iron Dust

Revision date : 08 Sept 2016

Remarks : Customized versions available on request.