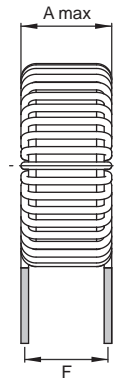
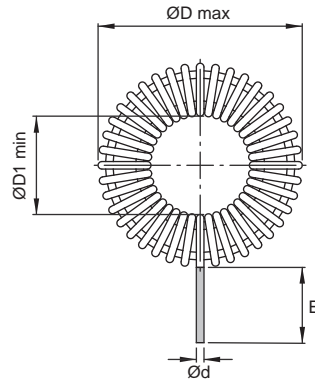


TLC/10A



Part No	Inductance (fL = 1 kHz)		Tol ± (%)	DCR max (mΩ)	Weight (grams)	Dimensions						SPQ: Loose / Box
	At I _{dc} =0A (μH)	At rated current (μH)				ØD max	F	A max	E	Ød	ØD1 min	
TLC/10A-100M-00	10	8.6	20	5.5	47	39	15	16	10	1.40	14	150
TLC/10A-150M-00	15	11.9	20	6.7	49	39	15	16	10	1.40	14	150
TLC/10A-220M-00	22	18.2	20	9	86	48	19	20	15	1.40	17	120
TLC/10A-330M-00	33	25.7	20	11	88	48	19	20	15	1.40	17	120
TLC/10A-470M-00	47	33.7	20	13.5	91	48	19	19	15	1.40	17	120
TLC/10A-680M-00	68	52.6	20	15.5	168	55	22	23	15	1.40	17	75
TLC/10A-101M-00	100	70.5	20	19	172	55	22	23	15	1.40	17	75
TLC/10A-151M-00	150	122.5	20	32	514	85	31	32	20	1.40	42	20
TLC/10A-221M-00	220	167	20	41	523	85	31	32	20	1.40	42	20
TLC/10A-331M-00	330	231	20	50	534	85	31	32	20	1.40	42	20
TLC/10A-471M-00	470	357	20	63	1024	85	56	57	20	1.40	42	10
TLC/10A-681M-00	680	476	20	79	1041	85	56	57	20	1.40	42	10
TLC/10A-102M-00	1000	781	20	94	2535	110	71	72	20	1.40	50	5

Core Material : Iron Dust

Revision date : 26 Aug 2016

Remarks : Customized versions available on request.