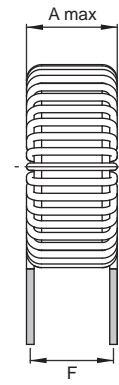
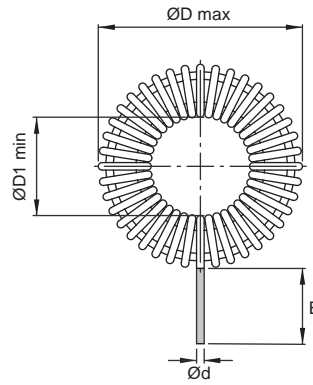


TLC/1A



| Part No        | Inductance (fL = 1 kHz) |                          | Tol<br>± (%) | DCR<br>max<br>(mΩ) | Weight<br>(grams) | Dimensions |     |       |    |      | SPQ:<br>Loose / Box |         |
|----------------|-------------------------|--------------------------|--------------|--------------------|-------------------|------------|-----|-------|----|------|---------------------|---------|
|                | At Idc=0A<br>(μH)       | At rated current<br>(μH) |              |                    |                   | ØD max     | F   | A max | E  | Ød   |                     | ØD1 min |
| TLC/1A-100M-00 | 10                      | 9.6                      | 20           | 38                 | 3                 | 15         | 6   | 6.5   | 10 | 0.45 | 5                   | 1500    |
| TLC/1A-150M-00 | 15                      | 14.2                     | 20           | 48                 | 3.2               | 15.5       | 6   | 7     | 10 | 0.45 | 5                   | 1500    |
| TLC/1A-220M-00 | 22                      | 20.5                     | 20           | 57                 | 3.3               | 15.5       | 6   | 7     | 10 | 0.45 | 5                   | 1500    |
| TLC/1A-330M-00 | 33                      | 29.8                     | 20           | 70                 | 3.4               | 15.5       | 6   | 7     | 10 | 0.45 | 5                   | 1500    |
| TLC/1A-470M-00 | 47                      | 41.1                     | 20           | 78                 | 3.5               | 15.5       | 6   | 7     | 10 | 0.45 | 5                   | 1500    |
| TLC/1A-680M-00 | 68                      | 61.9                     | 20           | 96                 | 6.2               | 20         | 6   | 7     | 10 | 0.45 | 7                   | 1000    |
| TLC/1A-101M-00 | 100                     | 88.2                     | 20           | 115                | 6.5               | 20         | 6   | 7     | 10 | 0.45 | 7                   | 1000    |
| TLC/1A-151M-00 | 150                     | 133.2                    | 20           | 158                | 10.3              | 23         | 8.5 | 9.5   | 10 | 0.45 | 9.5                 | 750     |
| TLC/1A-221M-00 | 220                     | 187.4                    | 20           | 192                | 10.6              | 23         | 8.5 | 9.5   | 10 | 0.45 | 9.5                 | 750     |
| TLC/1A-331M-00 | 330                     | 264.7                    | 20           | 236                | 11.2              | 23         | 8.5 | 9.5   | 10 | 0.45 | 9.5                 | 750     |
| TLC/1A-471M-00 | 470                     | 417.4                    | 20           | 325                | 33.3              | 31         | 13  | 14    | 10 | 0.45 | 11                  | 280     |
| TLC/1A-681M-00 | 680                     | 579.4                    | 20           | 393                | 34                | 31         | 13  | 14    | 10 | 0.45 | 11                  | 280     |
| TLC/1A-102M-00 | 1000                    | 807                      | 20           | 430                | 35                | 31         | 13  | 14    | 10 | 0.45 | 11                  | 280     |

Core Material : Iron Dust

Revision date : 26 Aug 2016

Remarks : Customized versions available on request.

Toroid Line Chokes (TLC)