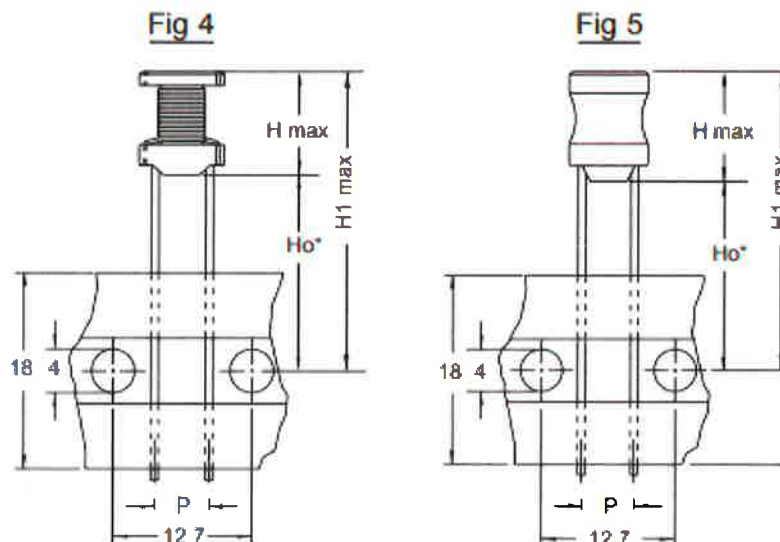


To: All customer


Date: 04/08/2020

PCN No: 000120

**Concerning Part Name** : 05HCP and 05HCP/T series  
**Product Type** : Plugable Inductor  
**Classification of Change** : Packing Dimension  
**Description of Change** : Revise Ho and H1 dimension (drawing) as the following:  
• **Ho**: from 16mm to 18mm.  
• **H1**: from 26mm max to 28.5mm max



**Reason of Change** : According to IEC 286 standard.  
**Expected Influence** : No change of electrical parameters and dimension.  
**Product Identification** : Not applicable  
**Product Availability** : Immediate effect

Prepared by:   
BengGuat, Ng  
R&D, Head of Department

Approved by:   
Mr. Bernath Laszlo  
General Manager