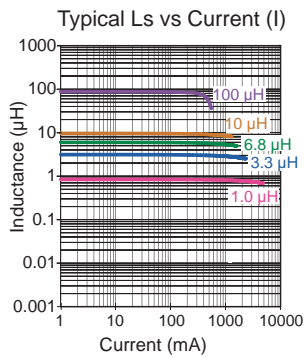
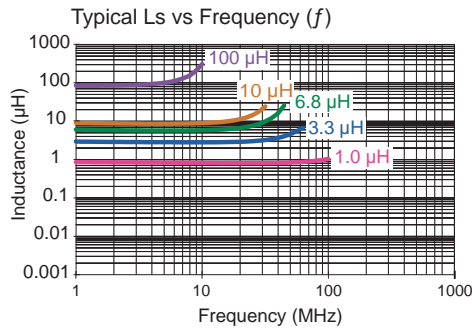
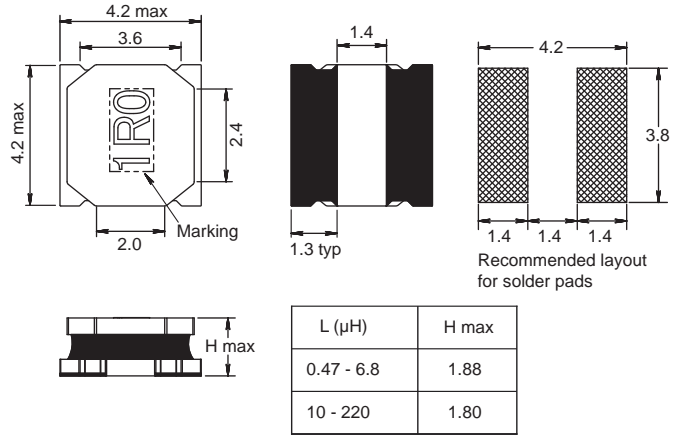
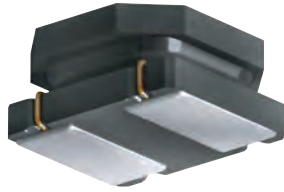


1616 FPS



Shielded

Engineer's Kit : EK-1616FPS-X



Part No	Inductance		fL (kHz)	Tol ± (%)	DCR max (mΩ)	Rated DC Current	
	L (μH)					Isat (A)	Irms (A)
1616FPS-R47N-01	0.47		100kHz, 1.0V	30	41.6	3.50	4.00
1616FPS-R82N-01	0.82		100kHz, 1.0V	30	20.8	4.20	4.00
1616FPS-1R0N-01	1.0		100kHz, 1.0V	30	24.7	4.70	3.70
1616FPS-1R2N-01	1.2		100kHz, 1.0V	30	27.3	4.00	3.50
1616FPS-1R5N-01	1.5		100kHz, 1.0V	30	35.1	3.50	3.10
1616FPS-2R2M-01	2.2		100kHz, 1.0V	20	44.4	3.00	2.90
1616FPS-2R7M-01	2.7		100kHz, 1.0V	20	52.0	2.40	2.30
1616FPS-3R3M-01	3.3		100kHz, 1.0V	20	66.0	2.30	2.20
1616FPS-4R7M-01	4.7		100kHz, 1.0V	20	84.0	2.00	1.90
1616FPS-6R8M-01	6.8		100kHz, 1.0V	20	118	1.60	1.50
1616FPS-100M-01	10		100kHz, 1.0V	20	180	1.40	1.30
1616FPS-150M-01	15		100kHz, 1.0V	20	264	1.10	1.00
1616FPS-220M-01	22		100kHz, 1.0V	20	348	0.95	0.90
1616FPS-330M-01	33		100kHz, 1.0V	20	552	0.75	0.70
1616FPS-470M-01	47		100kHz, 1.0V	20	780	0.62	0.60
1616FPS-680M-01	68		100kHz, 1.0V	20	1128	0.50	0.50
1616FPS-101M-01	100		100kHz, 1.0V	20	1596	0.45	0.42
1616FPS-151M-01	150		100kHz, 1.0V	20	2400	0.35	0.32
1616FPS-221M-01	220		100kHz, 1.0V	20	3552	0.30	0.28

Core Material : Ferrite

Revision date : 25 Aug 2020

SPQ : Taped / Reel 3000 [-01]