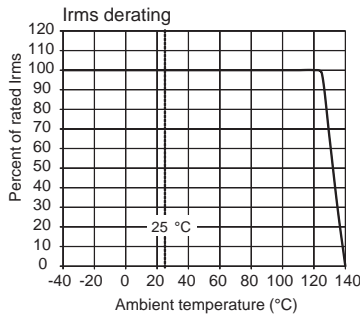
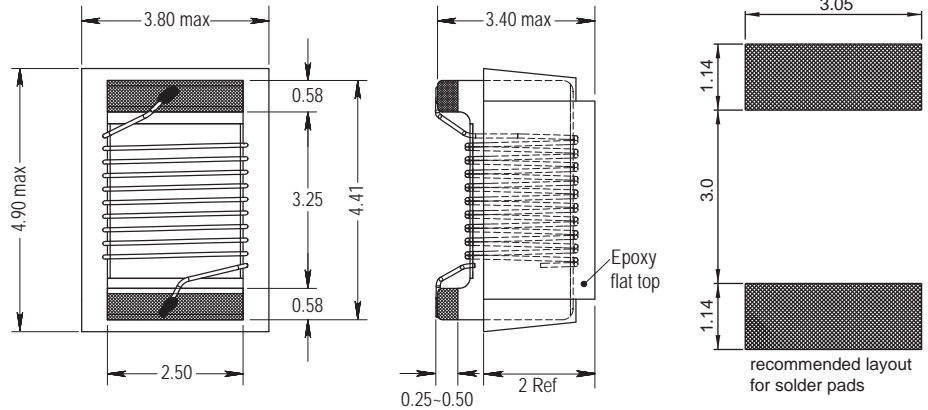
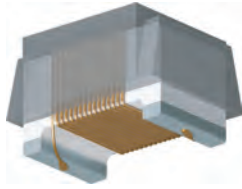


1812 ASM

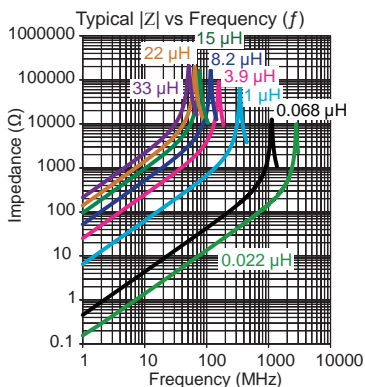
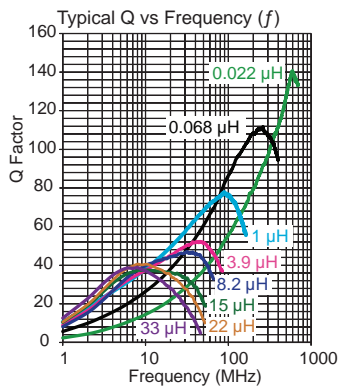
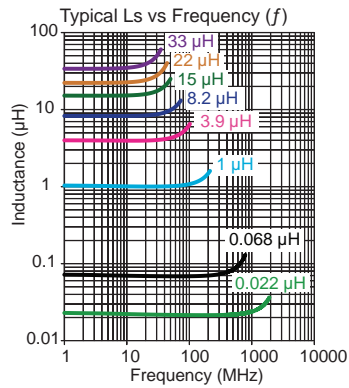


Non-magnetic

Engineer's Kit : EK-1812ASM-X



Current carrying capacity dependent on the ambient temperature



| Part No | Inductance | f _L | Tol | Q | f _α | SRF | DCR | Rated DC |
|-----------------|------------|----------------|-------|-----|----------------|----------|---------|------------------|
| | L (μH) | (MHz) | ± (%) | min | (MHz) | (MHz) | max (Ω) | Current max (mA) |
| 1812ASM-022K-YY | 0.022 | 50 | 10 | 70 | 500 | 2300 min | 0.050 | 1550 |
| 1812ASM-068K-YY | 0.068 | 50 | 10 | 70 | 250 | 900 min | 0.070 | 1350 |
| 1812ASM-1R0K-YY | 1.0 | 7.9 | 10 | 60 | 50 | 280 min | 0.640 | 460 |
| 1812ASM-1R2K-YY | 1.2 | 7.9 | 10 | 60 | 50 | 260 min | 0.850 | 420 |
| 1812ASM-1R5K-YY | 1.5 | 7.9 | 10 | 60 | 50 | 235 min | 1.300 | 360 |
| 1812ASM-1R8K-YY | 1.8 | 7.9 | 10 | 60 | 50 | 220 min | 1.800 | 290 |
| 1812ASM-2R2K-YY | 2.2 | 7.9 | 10 | 60 | 50 | 205 min | 2.100 | 280 |
| 1812ASM-2R7K-YY | 2.7 | 7.9 | 10 | 60 | 50 | 180 min | 2.750 | 260 |
| 1812ASM-3R3K-YY | 3.3 | 7.9 | 10 | 56 | 50 | 160 typ | 2.800 | 240 |
| 1812ASM-3R9K-YY | 3.9 | 7.9 | 10 | 51 | 50 | 145 typ | 3.100 | 220 |
| 1812ASM-4R7K-YY | 4.7 | 7.9 | 10 | 51 | 50 | 135 typ | 3.900 | 210 |
| 1812ASM-5R6K-YY | 5.6 | 7.9 | 10 | 43 | 50 | 115 typ | 3.800 | 210 |
| 1812ASM-6R8K-YY | 6.8 | 7.9 | 10 | 41 | 50 | 105 typ | 5.140 | 200 |
| 1812ASM-8R2K-YY | 8.2 | 7.9 | 10 | 40 | 50 | 100 typ | 7.150 | 140 |
| 1812ASM-100K-YY | 10 | 7.9 | 10 | 36 | 50 | 90 typ | 8.13 | 150 |
| 1812ASM-120K-YY | 12 | 2.5 | 10 | 34 | 10 | 75 typ | 8.70 | 130 |
| 1812ASM-150K-YY | 15 | 2.5 | 10 | 34 | 10 | 70 typ | 9.60 | 130 |
| 1812ASM-180K-YY | 18 | 2.5 | 10 | 32 | 10 | 50 typ | 10.9 | 130 |
| 1812ASM-220K-YY | 22 | 2.5 | 10 | 32 | 10 | 40 typ | 14.6 | 110 |
| 1812ASM-270K-YY | 27 | 2.5 | 10 | 31 | 10 | 32 typ | 15.9 | 110 |
| 1812ASM-330K-YY | 33 | 2.5 | 10 | 31 | 10 | 32 typ | 17.1 | 90 |

Single layer (typ)

Core Material : Ceramic

Revision date : 03 Sep 2020

SPQ : Taped / Reel 600 [-01]
2200 [-04]

Remarks: - Unlisted inductance values available upon request.
- 2% and 5% tolerance available upon request.