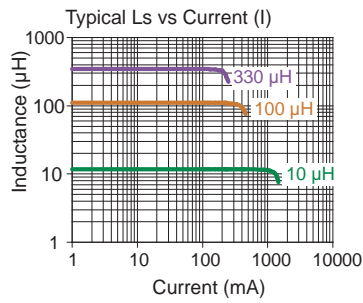
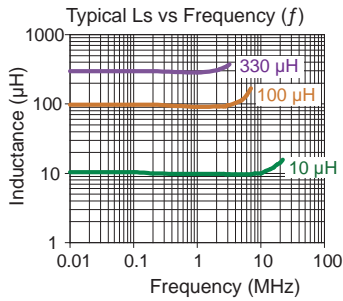
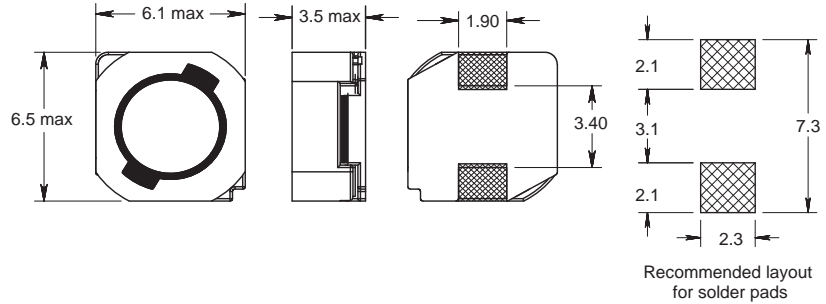


# PISA 2408

Magnetically Shielded



Part No	Inductance L (µH)	f <sub>L</sub> (kHz)	Tol ± (%)	DCR max (Ω)	Rated DC Current I(A)
PISA2408-2R9N-04	2.9	1	30	0.068	1.94
PISA2408-3R3N-04	3.3	1	30	0.068	1.80
PISA2408-5R5N-04	5.5	1	30	0.096	1.40
PISA2408-6R3N-04	6.3	1	30	0.10	1.30
PISA2408-6R8M-04	6.8	1	20	0.10	1.20
PISA2408-7R1N-04	7.1	1	30	0.11	1.22
PISA2408-8R0N-04	8.0	1	30	0.12	1.15
PISA2408-100M-04	10	1	20	0.15	1.10
PISA2408-120M-04	12	1	20	0.20	1.00
PISA2408-150M-04	15	1	20	0.23	0.90
PISA2408-180M-04	18	1	20	0.27	0.88
PISA2408-220M-04	22	1	20	0.34	0.74
PISA2408-270M-04	27	1	20	0.38	0.66
PISA2408-470M-04	47	1	20	0.69	0.50
PISA2408-560M-04	56	1	20	0.78	0.46
PISA2408-680M-04	68	1	20	1.07	0.42
PISA2408-820M-04	82	1	20	1.21	0.38
PISA2408-101M-04	100	1	20	1.39	0.34
PISA2408-121M-04	120	1	20	1.90	0.31
PISA2408-151M-04	150	1	20	2.18	0.28
PISA2408-221M-04	220	1	20	3.12	0.23
PISA2408-271M-04	270	1	20	4.38	0.22
PISA2408-331M-04	330	1	20	4.94	0.19

**Core Material** : Ferrite  
**Base Material** : Plastic

Revision date : 25 Jul 2018

**SPQ** : Taped / Reel 1000 [-04]

**Remarks** : - Additional gluing to PCB board is recommended.  
- I - see description in Inductors Technical Data.

SMD Power Inductors