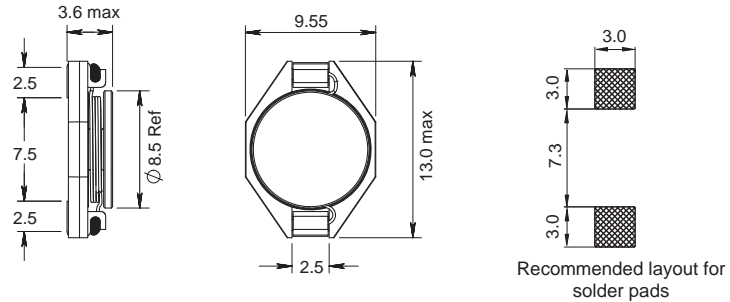
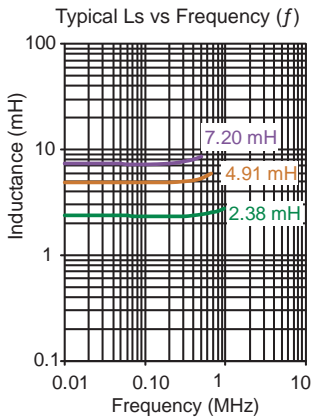


ZASL, ZASL/N
Transponder Coil



(for RFID)

Transponder Coils



Part No	Inductance L (mH)	Tol ± (%)	ZASL		ZASL/N		Q min	SRF min (kHz)	DCR max (Ω)	Sensitivity (mV/μT)
			f _L (kHz)	f _Q (kHz)	f _L (kHz)	f _Q (kHz)				
ZASL-242J-04	2.38	5	125	125	134.2	134.2	35	1781	12	29
ZASL-272J-04	2.66	5	125	125	134.2	134.2	35	1630	13	32
ZASL-482J-04	4.77	5	125	125	134.2	134.2	35	1190	22	37
ZASL-492J-04	4.91	5	125	125	134.2	134.2	35	1140	23	39
ZASL-712J-04	7.10	5	125	125	134.2	134.2	36	950	32	66
ZASL-722J-04	7.20	5	125	125	134.2	134.2	37	910	32	67

Core Material : Ferrite
Base Material : Plastic

Revision date : 18 Sep 2020

SPQ : Taped / Reel 1000 [-04]

Remarks : Terminal clip with lead-free tinned surface for SMT-Reflow soldering.

